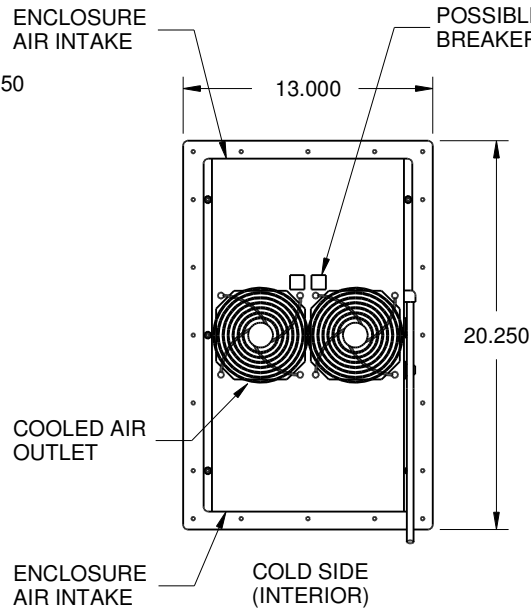
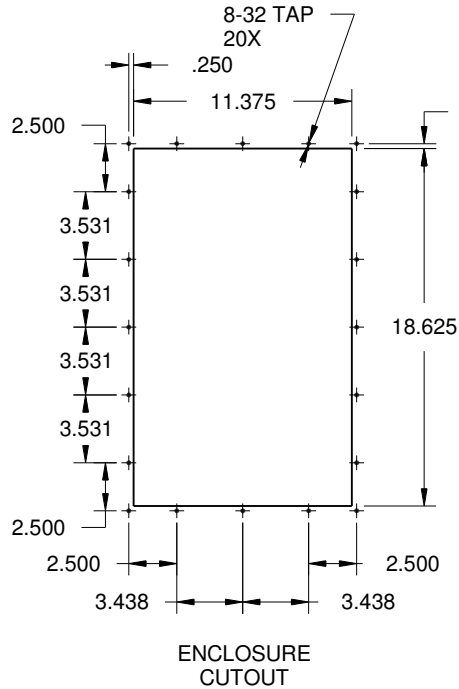
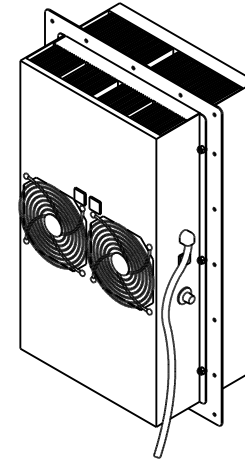
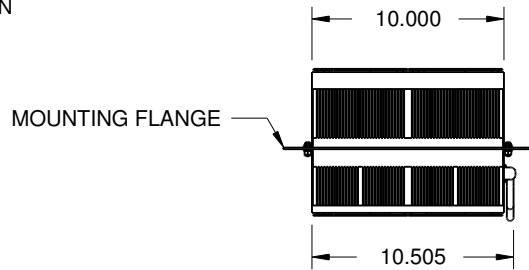
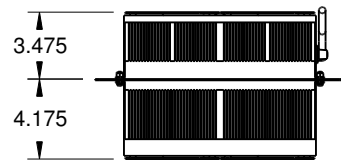
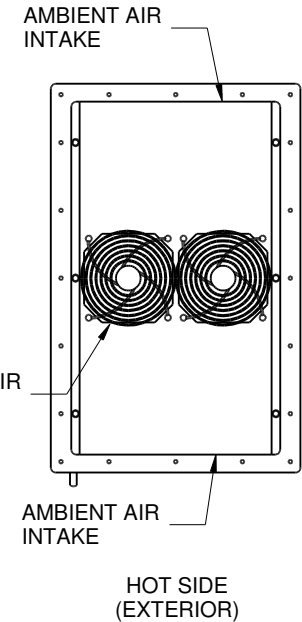
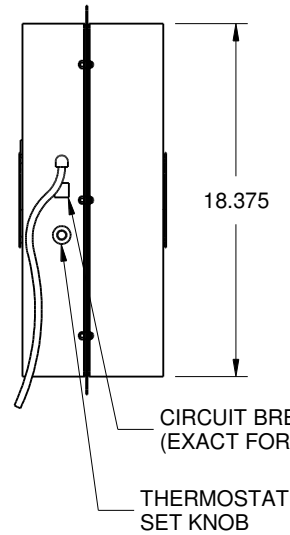


THE INFORMATION CONTAINED HEREIN IS PROPRIETARY AND CONFIDENTIAL TO EIC SOLUTIONS, INC. ANY USE, TRANSFER, OR DUPLICATION OF THIS INFORMATION IS STRICTLY FORBIDDEN WITHOUT THE EXPRESS WRITTEN CONSENT OF EIC SOLUTIONS, INC.

REV	DESCRIPTION	CHECKED	DATE	NOTES
-----	-------------	---------	------	-------



POSSIBLE CIRCUIT BREAKER LOCATION



Title: AAC-145 AND AAC-146 SERIES ASSEMBLY

MATERIAL: STAINLESS STEEL BODY
UNLESS NOTED ALUMINUM HEAT SINKS

**TOLERANCES
UNLESS NOTED**

EIC Solutions, Inc.

FINISH:
UNLESS NOTED BRUSHED

FRACTIONS $\pm 1/32$
2 PLACES ± 0.03
3 PLACES ± 0.015
ANGLES $\pm 1^\circ$

700 Veterans Way, Suite 200
Warminster, PA 18974
(215) 443-5190 FAX: (215) 443-9564
www.eicsolutions.com

DRAWN: SFB

SCALE: 1:10

DATE: 05/15/15

DWG #: AA-2182

SHEET #: 1 OF 1