

# EIC SOLUTIONS, INC.

---



# EIC SOLUTIONS

**THERMOELECTRIC AIR CONDITIONER INSTALLATION AND  
OPERATION MANUAL**

**FOR 5500 BTU MODEL #'S**

**AAC-170-4XT  
AAC-170-4XT-HC  
AAC-170-XXXXX**

***COOLING SOLUTIONS FOR  
MISSION-CRITICAL ELECTRONICS***

# TABLE OF CONTENTS

## **1. GENERAL INFORMATION**

<b>1.1</b>	<b>PRINCIPLES OF OPERATION .....</b>	<b>3</b>
------------	--------------------------------------	----------

## **2. INSTALLATION**

<b>2.1</b>	<b>CHOOSING A LOCATION .....</b>	<b>4</b>
<b>2.2</b>	<b>ORIENTATION .....</b>	<b>4</b>
<b>2.3</b>	<b>PREPARING THE ENCLOSURE .....</b>	<b>6</b>
<b>2.4</b>	<b>INSTALLING THE AIR CONDITIONER .....</b>	<b>6</b>
<b>2.5</b>	<b>INSTALL THE DRAIN LINES .....</b>	<b>8</b>
<b>2.6</b>	<b>APPLY POWER .....</b>	<b>9</b>

## **3. OPERATION**

<b>3.1</b>	<b>THERMOSTAT SET POINTS AND HEATING COOLING UNITS .....</b>	<b>10</b>
<b>3.2</b>	<b>MAINTENANCE .....</b>	<b>10</b>

### **EIC SOLUTIONS INC.**

**700 VETERANS WAY, SUITE 200**

**WARMINSTER, PA 18974**

**PHONE 1-215-443-5190 OR 1-800-497-4524**

**FAX 215-443-9564**

**EMAIL [INFO@EICSOLUTIONS.COM](mailto:INFO@EICSOLUTIONS.COM)**

**VISIT US ON THE WEB AT [WWW.EICSOLUTIONS.COM](http://WWW.EICSOLUTIONS.COM).**

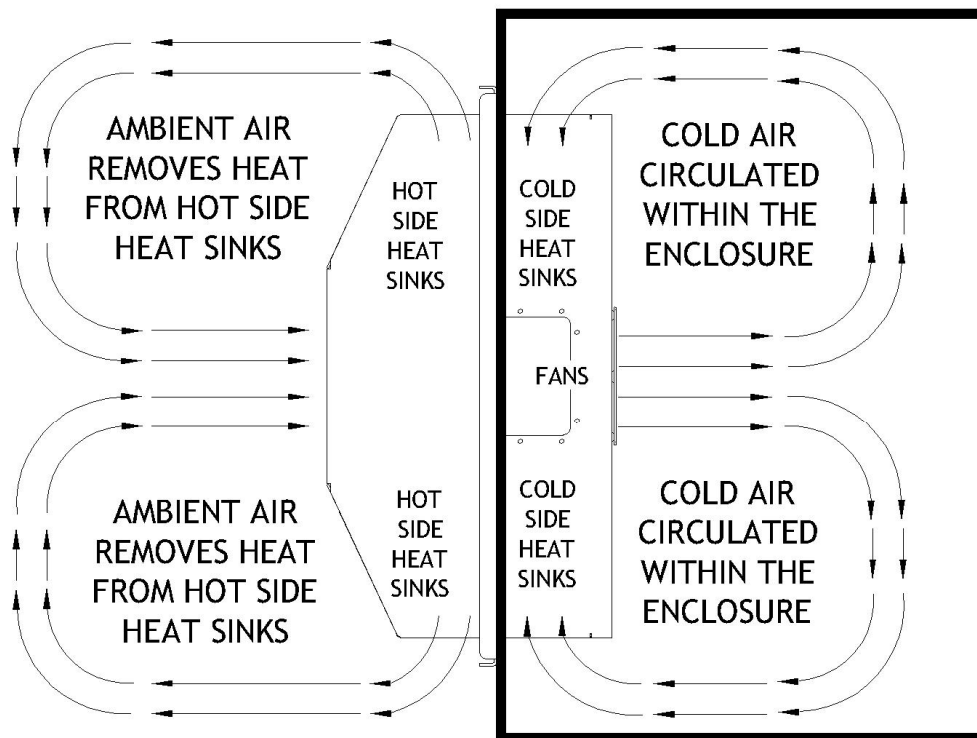
# 1. GENERAL INFORMATION

## 1.1 PRINCIPLES OF OPERATION

In 1834 Jean Peltier discovered that by passing a current through two dissimilar conductors the junction of those materials will either absorb or release heat depending on the direction of the current flow. Thirteen years earlier Thomas Seebeck had discovered that current would flow when you placed a temperature gradient across the junction of two dissimilar metals. These two discoveries were the basis of thermoelectrics. With the advent of modern semiconductors thermoelectric devices became practical for real world applications and are now found in everything from consumer goods to spacecraft.

Your EIC Solutions Thermoelectric Air Conditioner operates on this principle so there is no compressor and no expensive, ozone depleting CFC's. EIC's air conditioners use Thermoelectric "modules" sandwiched between high performance aluminum heat sinks, high CFM axial fans, and a patented electronic design to "pump" the heat from the inside of your enclosure to the outside, without exposing your delicate electronics to any outside air or contaminants. See Figure 1.1.

EIC uses only the highest quality components in our air conditioners and you can expect years of trouble free cooling from these solid-state devices. Every unit we sell is backed by our one year parts and labor warranty.



TOP VIEW

FIGURE 1.1

# 2. INSTALLATION

## 2.1 CHOOSING A LOCATION ON YOUR ENCLOSURE

When choosing a mounting location for your unit, be sure to keep air flows of both the interior and exterior heatsinks and fans in mind. Adequate clearance between the fans/heatsinks and nearby surfaces is required for unrestricted air flows which will ensure optimal performance and long, trouble free operation. The general rule is to allow a minimum of two inches between the fans or heatsinks and any surface. Refer to figure 1.1 for an air flow diagram.

Other considerations in deciding on a mounting location include; allowing access to thermostat (this will be inside the enclosure) if frequent adjustments are to be made; allowing access to the hot side heat sinks (this will be on the outside of the enclosure) for cleaning if the unit will be used in a harsh, dirty environment.

## 2.2 ORIENTATION

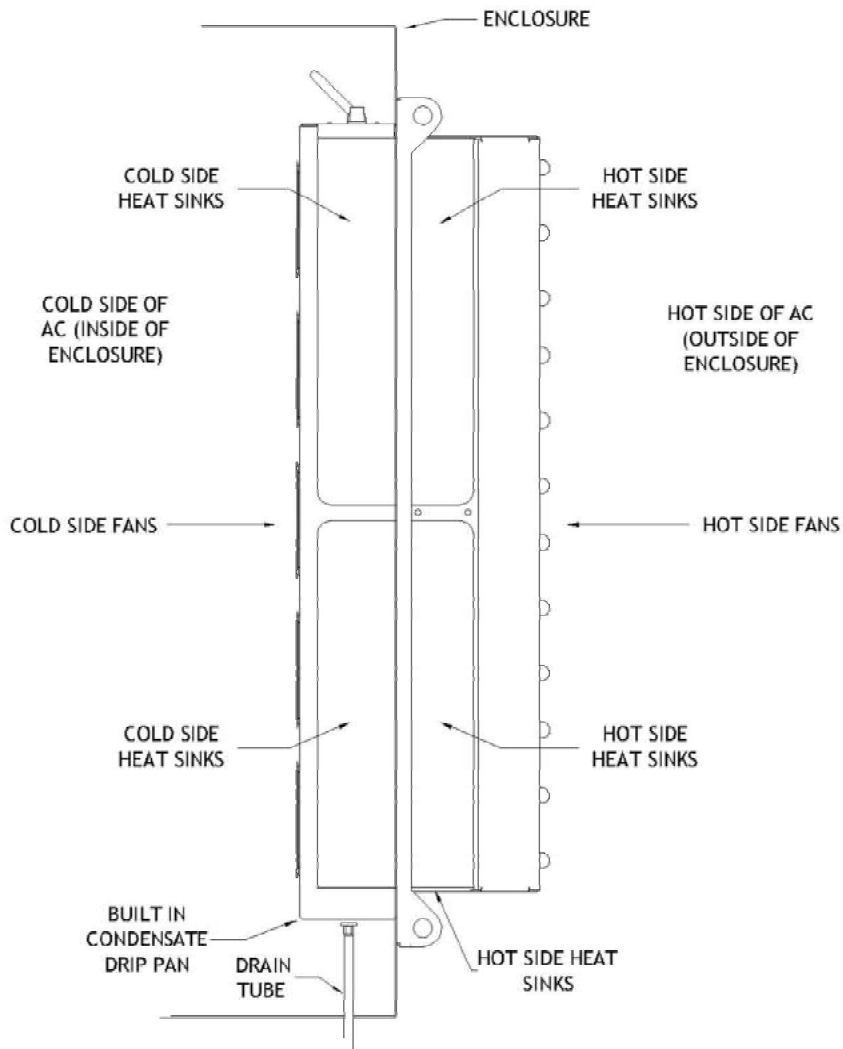
Your AC unit can be mounted either vertically on the front, rear or side of your enclosure or horizontally on the top of your enclosure. See Figure 2.1 and 2.2.

Vertically mounted (mounted on the side of an enclosure) 5500 BTU units are always mounted with the exposed heatsink fins facing left and right. (Fig. 2.1) **The unit cannot be mounted vertically and turned 90 degrees with the exposed heatsink fins at the top and bottom.** The AAC-170-4XT is equipped with a built-in vertical condensate drip pan. Once installed the drain hoses must be attached to the brass fittings located in the bottom of the cold side cover (inside the enclosure) and routed outside the enclosure. See Fig. 2.1.

Mounting the unit vertically and turned 90 degrees on the side of an enclosure (with the exposed heat sink fins facing the top and bottom), will cause condensate to drip in an uncontrolled manner, possibly damaging electronic equipment within the enclosure. If this orientation is the only possible configuration, contact the Engineering Dept. at EIC for a custom solution.

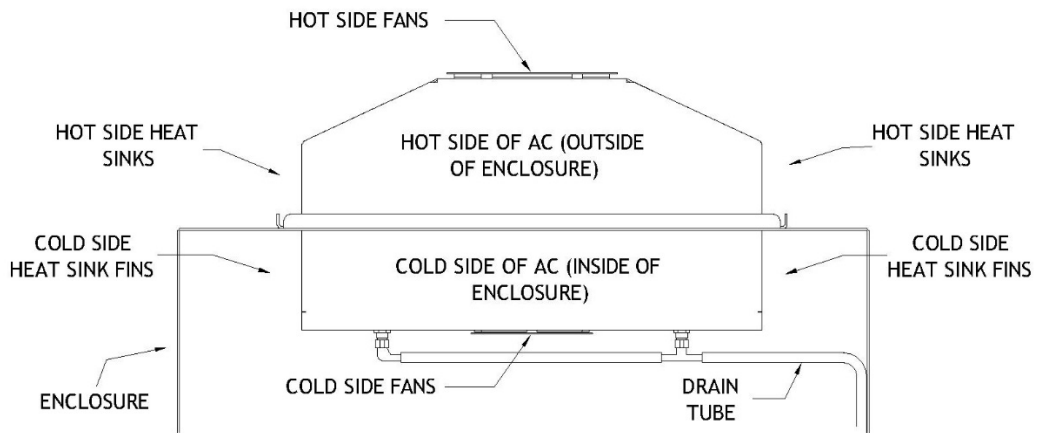
**Horizontally mounted 5500 Btu units always require a factory installed drip pan (part # DP-170H) to prevent dripping condensate from damaging electronic equipment.** (Fig. 2.2)

In either orientation, issues regarding access should be considered and minimum clearances must be maintained as outlined in Section 2.1 of this manual.



**VERTICAL INSTALLATION OF 5500 BTU UNIT WITH INTEGRAL DRIP PAN AND DRAIN TUBE**

FIGURE 2.1



**HORIZONTAL INSTALLATION OF 5500 BTU UNIT WITH INTERNALLY MOUNTED DP-170H DRIP PAN AND DRAIN TUBE**

FIGURE 2.2

## 2.3 PREPARING THE ENCLOSURE

To mount the 5500 Btu unit you will need to cut an opening in your enclosure and drill mounting holes. A cut-out drawing (Fig. 2.3) showing the cut-out size and hole locations has been included in this manual (see Fig. 2.3). The instructions for installing the air conditioner are printed below.

### TOOLS AND MATERIALS NEEDED:

- Pencil
- Tape Measure
- Jigsaw or suitable alternative
- Electric drill
- 17/64 (H) drill bit
- (20) ¼-20 x ½” stainless machine screws (supplied)
- (20) washers (supplied)
- (20) ¼-20 nuts (supplied)
- One neoprene gasket (supplied)

### CUT THE OPENING AND DRILL MOUNTING HOLES IN THE ENCLOSURE

1. Using the guidelines provided in the installation manual choose an appropriate location for the air conditioner on your enclosure.
2. Layout the cut-out and hole pattern for the AC on the enclosure. Refer to Figure 2.3.
3. Before cutting or drilling check that the location meets the clearance requirements as specified in the installation manual.
4. Using a pencil, center punch or other method, mark the exact center point of each mounting hole on the enclosure
5. Using the jigsaw, cut the opening in the enclosure.
6. Using the 17/64 drill bit, drill a hole at each of the marks you made earlier.

## 2.4 INSTALLING THE AIR CONDITIONER

### INSTALL THE AIR CONDITIONER

1. Lay the air conditioner down with the cold side (side with the thermostat) facing up.
2. Take the supplied gasket and lay it down on the flange.
3. Take one of the supplied mounting screws and, from the under side of the flange, push it up through the top right mounting hole, and through the hole in the gasket. The gasket hole is undersized and will hold the screw in place. Repeat this on the top left mounting hole.
4. Set the AC unit in the hole you've cut in the enclosure, and using a screwdriver, carefully start the two screws you attached to the gasket to the tapped holes in the enclosure. Do not tighten these at this time.
5. Install the rest of the screws in the flange placing a nylon washer on each fastener and screw them into the holes in the enclosure. Do not tighten them completely.
6. Remove the two starter screws and place a nylon washer on each and reinstall.
7. Tighten all screws.

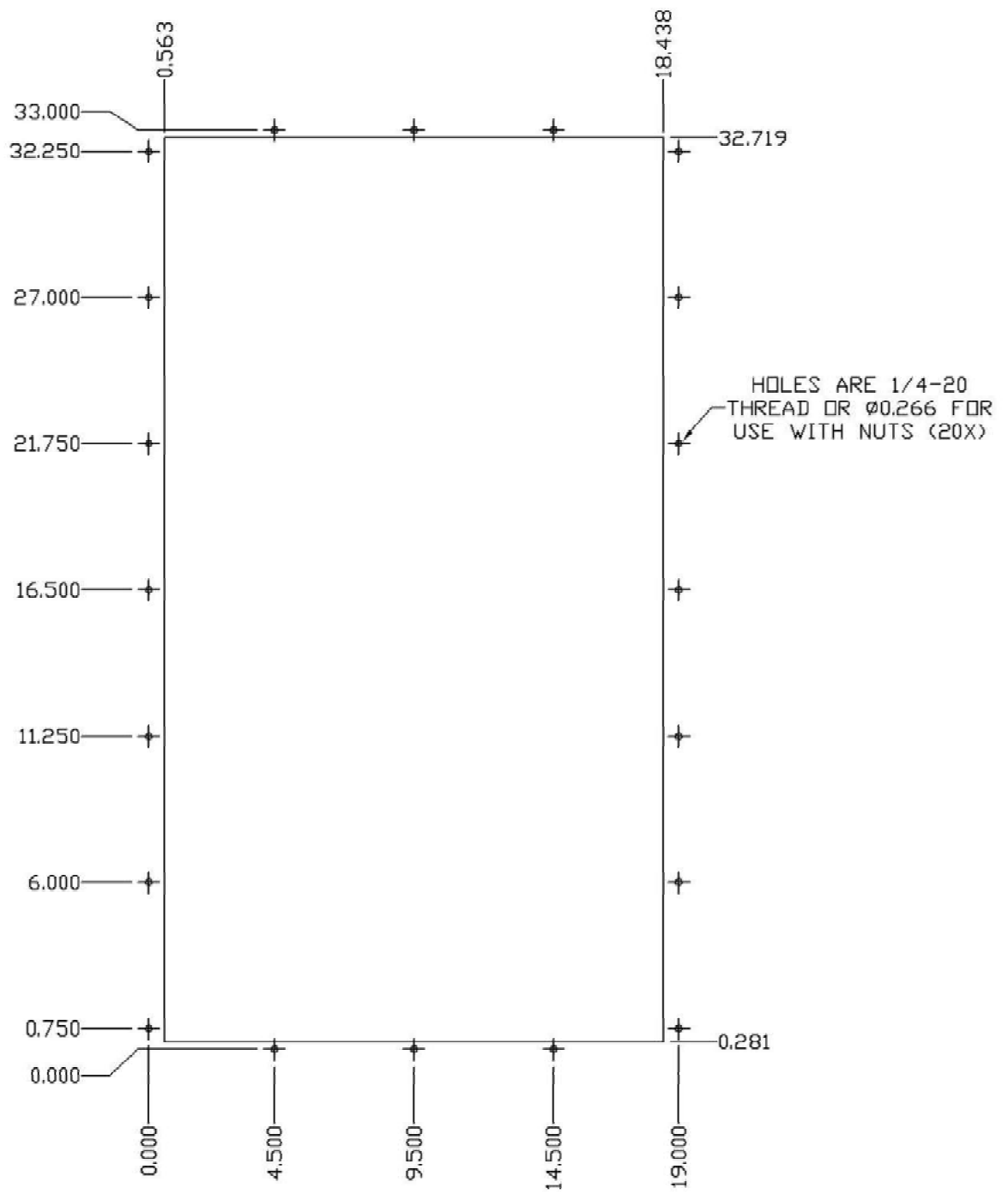


FIG. 2.3

## 2.5 INSTALL THE DRAIN LINES

1. Various hose fittings and a length of hose were provided with the AC unit. Review the Fig. 2.4 below for suggested drain line configurations.

SUGGESTED  
DRAIN  
CONFIGURATIONS

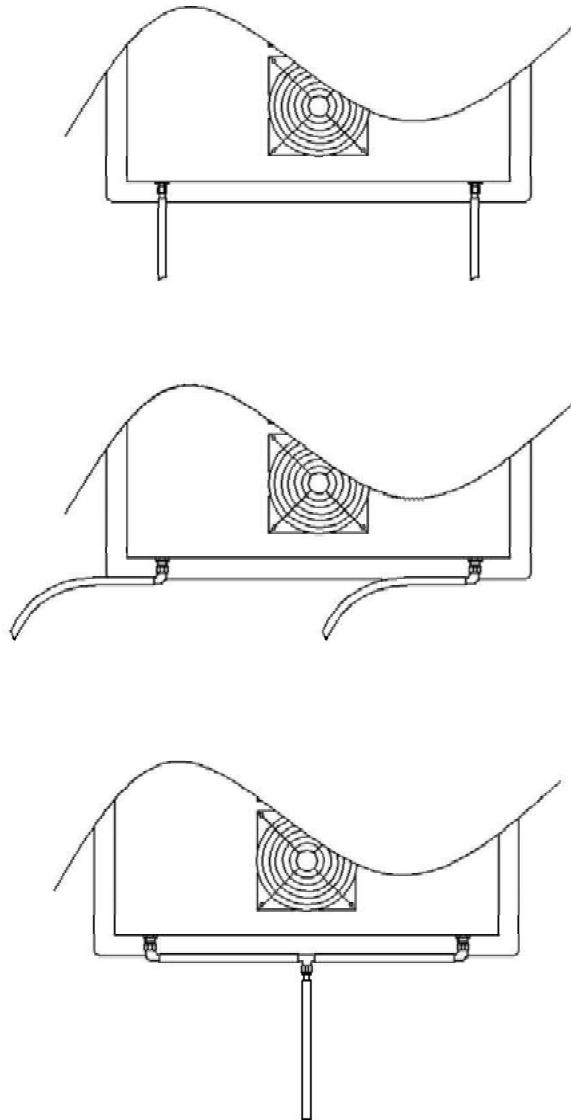


FIG. 2.4

**YOU MUST USE THE FACTORY INSTALLED HORIZONTAL DRIP PAN IF YOU INSTALL THE AIR CONDITIONER HORIZONTALLY (FIG 2.2) ON THE TOP OF YOUR ENCLOSURE. FAILURE TO DO SO MAY ALLOW CONDENSATE TO DRIP IN AN UNCONTROLLED MANNER CAUSING DAMAGE TO YOUR EQUIPMENT.**



## **2.6 APPLY POWER**

Once the air conditioner is mounted, check the serial label and confirm the voltage required and then apply appropriate power as outlined below.

220 - 240 VAC units - this unit will not have a plug on the end. Connect the wires to an appropriate power source using standard safe wiring methods as follows:

Wire colors are as follows:

- Black or Brown - line
- White or Blue - line/neutral
- Green or Green/Yellow - ground

Amperage for 220 VAC unit is 10.3 amps.

Upon applying power to the air conditioner the fans on the cold side (inside the enclosure) will come on. The hot side fans (outside the enclosure) may also run depending on where the thermostat is set. The cold side fans always run to circulate air within your enclosure thereby eliminating any "hot spots". The hot side fans will only run when the air conditioner is cooling - they are "pumping" the heat from the inside of your enclosure to the outside air.

# 3. OPERATION

## 3.1 THERMOSTAT SET POINTS AND HEATING/COOLING UNITS

### SETTING THE THERMOSTAT

Your EIC air conditioner is equipped with an adjustable thermostat. The set point you choose should be based on the desired internal temperature of the enclosure. The air conditioner will run until the set point temperature is achieved within the enclosure and then the hot side fans and the thermoelectric cooling modules will shut down. The cold side fans will continue to run, circulating the air to maintain a uniform temperature within the enclosure.

### HEATING AND COOLING UNITS

If you purchased an HC unit (heating and cooling), the heater operation is controlled by a fixed-point thermostat. This thermostat is set to turn the heaters on when the temperature within the enclosure falls to approximately 45° F and turn the heaters off when the temperature rises to approximately 55° F.

The cooling operation is controlled by the adjustable thermostat. To avoid having the heating and cooling on at the same time, do not set the cooling thermostat below 70° F.

## 3.2 MAINTENANCE

### MAINTENANCE

EIC Thermoelectric Air Conditioners are virtually maintenance-free. The only time maintenance is required is when a unit is installed in an extremely dirty environment. In these cases, the hot side heat sinks (outside the enclosure) should be inspected regularly for a build-up of dust or dirt. If a build-up is present on the heat sink fins, it can be easily removed as follows:

1. Disconnect the power from the unit.
2. Dry dust/dirt can be removed using compressed air to blow out the heat sinks. Do not direct any high-pressure air at the fans.
3. Our 5500 Btu air conditioners are designed to allow for water wash down of the hot side of the unit, which is outside of the enclosure (**never the cold side which is inside the enclosure**). A low pressure stream of water can be used to carefully clean the hot side heat sink fins. Never direct high-pressure water at the fans or the joint formed by the mounting flange, gasket and enclosure. Never allow the cold side of your unit to get wet.

Keeping the hot side heat sink fins free from any insulating build-up of dirt or dust will ensure long, trouble-free operation of your air conditioner.

### **NEVER EXPOSE THE COLD SIDE OF ANY AIR CONDITIONER (INSIDE THE ENCLOSURE) TO WATER.**

If you have any questions about any aspect of your EIC air conditioner, don't hesitate to call us at the numbers listed below.